

# Section 4

## SITE SAFETY AND TRAFFIC CONTROL

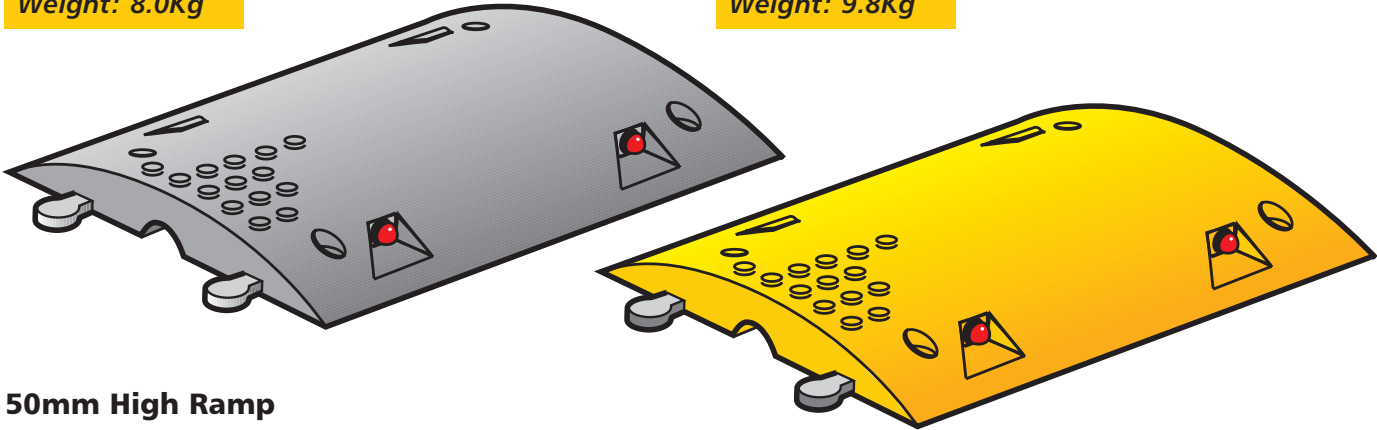
### SPEED RAMPS

Part Number: **SP50B** (Black)  
 MATERIAL: NATURAL/SBR RUBBER COMPOUND

Part Number: **SP50Y** (Yellow)  
 MATERIAL: NATURAL/SBR RUBBER COMPOUND

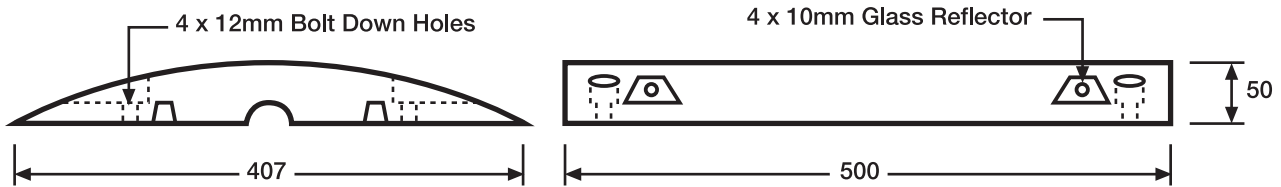
Weight: 8.0Kg

Weight: 9.8Kg



#### 50mm High Ramp

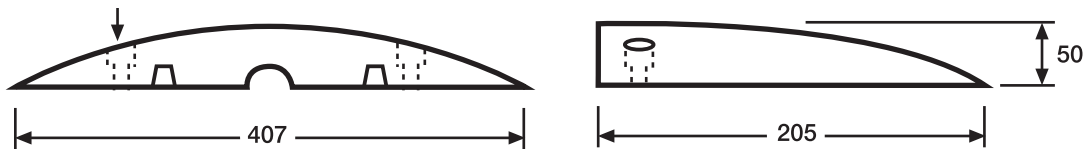
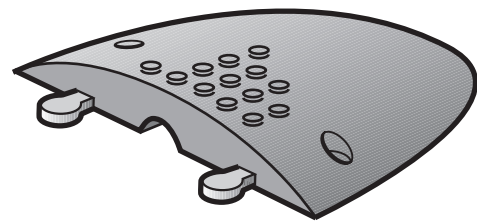
Recommended for Speeds up to 15mph



Part Number: **SP50.END** (Black Only)  
 MATERIAL: NATURAL/SBR RUBBER COMPOUND

Weight: 2.3Kg

#### 50mm End Cap



- Manufactured from 100% SBR/Natural Rubber.
- Bolt down holes for permanent fixing.
- Easy to install using 12mm bolts.
- Surface pattern for extra grip.
- 500mm sections in alternative black and yellow.
- Integral reflector in red.
- End sections available.

